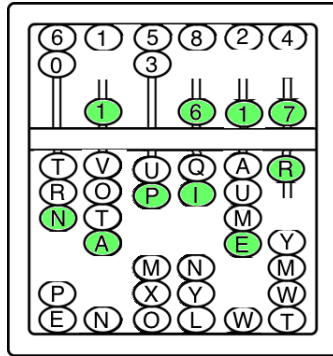


My First Computer

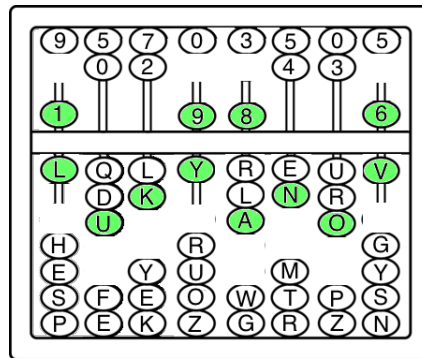
Each of these has two terms added together. Representing each of the summands individually doesn't seem to give very helpful letters. Trying the sum of the two numbers, we get some phrases:

$$257914 + 134882 = 392796$$



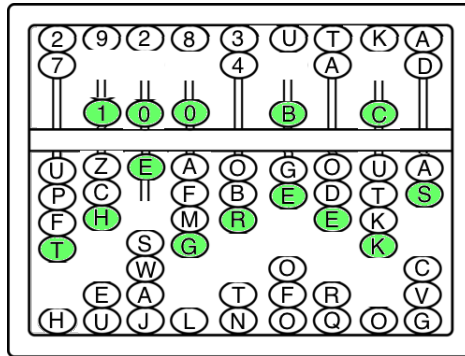
NAPIER'S
BONES

$$58731455 + 4536781 = 63268236$$



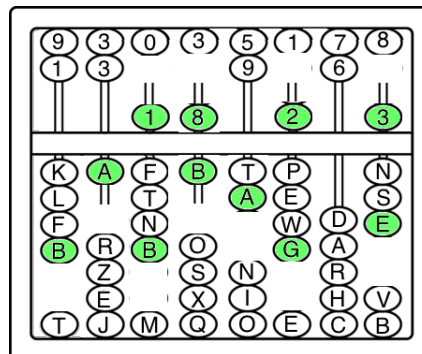
WATER
INTEGRATOR

$$243475696 + 243461696 = 486937392$$



ANTIQUETHERA
MECHANISM

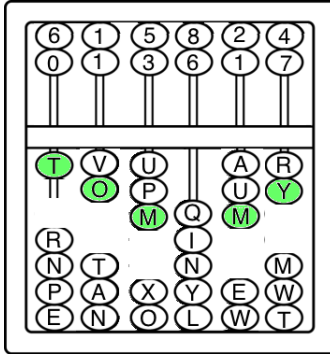
$$57832095 + 33630813 = 41962908$$



DIFFERENCE
ENGINE

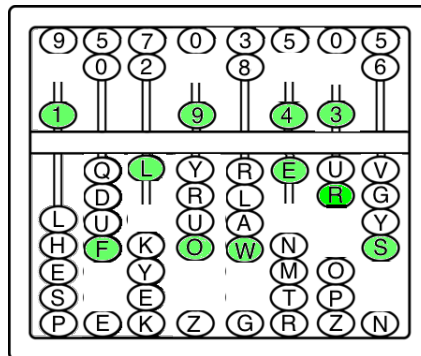
Each of these looks like a name and a year, and as hinted by the flavor text, these are the names of inventors of early calculating devices, as well as the years they were invented. After writing these down, the selected letters read NOWTRYTHEDIFFERENCE. So that's why there are two things added together! Repeating with the differences,

$$257914 - 134882 = 123032$$



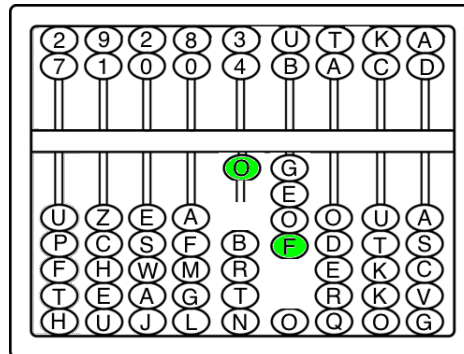
NAPIER'S
BONES

$$58731455 - 4536781 = 54194674$$



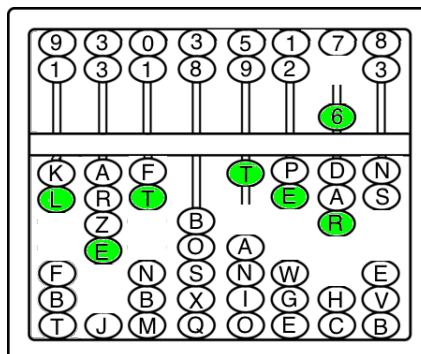
WATER
INTEGRATOR

$$243475696 - 243461696 = 14000$$



ANTI**K**Y**T**HERA
ME**C**HANISM

$$57832095 - 33630813 = 24201282$$



DIFFERENCE
ENGINE

TOMMY 1943 FLOWERS OF 6 LETTERS clues COLOSSUS as the computer invented by Tommy Flowers in 1943, reducing the phrase to COLOSSUS OF 6 LETTERS. The 6 letter word that fills in the blank is **RHODES**.

Note: during testing we also considered using the phrase ISLAND FAMOUS FOR 1943 FLOWERS, but this was deemed too cryptic.